

**FEATURES**

※Left or right operation direction

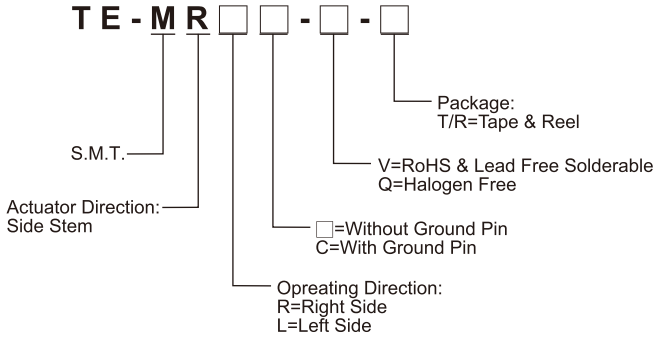
**APPLICATION**

- ※Close/open detection
- ※White goods
- ※Automotive

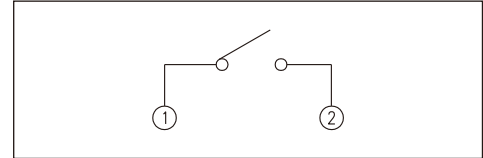
**SPECIFICATION**

|                       |                    |
|-----------------------|--------------------|
| Contact Rating        | 50mA, 20V DC       |
| Contact Resistance    | 1Ω max.            |
| Insulation Resistance | 100MΩ min. 100V DC |
| Dielectric Strength   | 100V AC/1 minute   |
| Operating Force       | 50gf max.          |
| Travel                | 2.15mm             |
| Operating Life        | 100,000 cycles     |
| Operating Temp.       | -10°C ~ +60°C      |
| Storage Temp.         | -20°C ~ +70°C      |

**HOW TO ORDER**



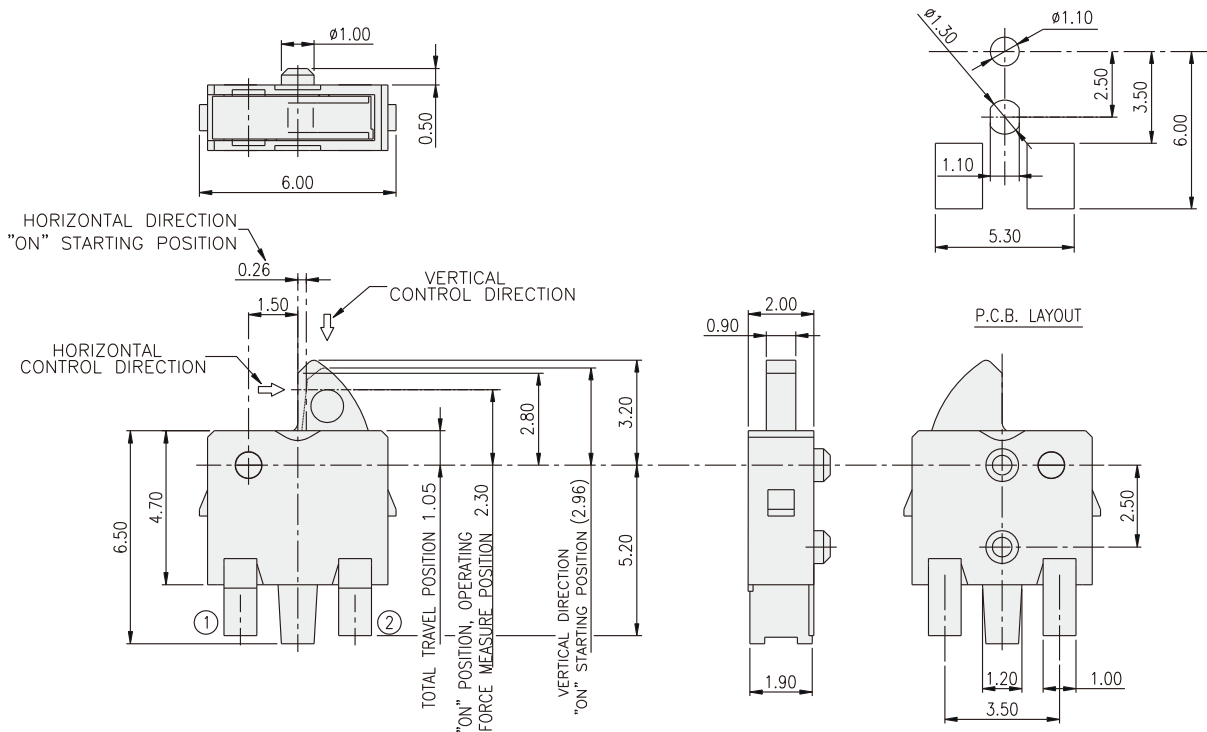
**CIRCUIT**



**PACKAGE**

<Tape & Reel>  
TE-MR□: 3000 pcs  
TE-MR□C: 2000 pcs

**TE-MRR**



TE-MRLC

