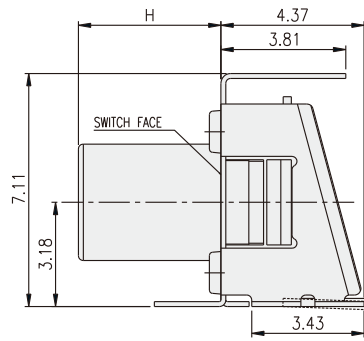
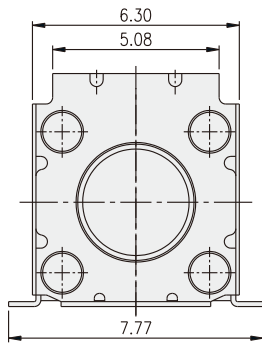


TACT SWITCH
TA3 SERIES

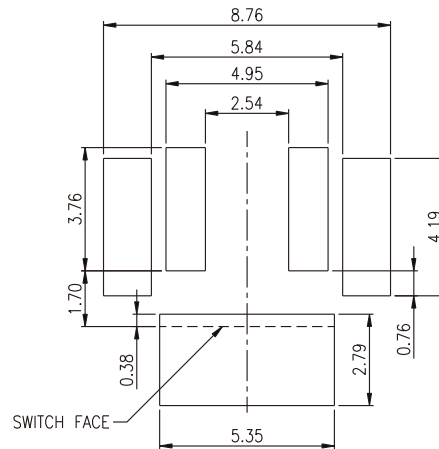
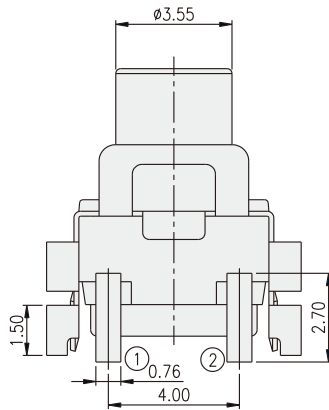
6x6 Right Angle Type
 With Supporting Terminal & Tab Available



TA3-□□K



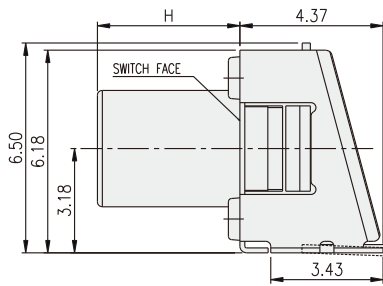
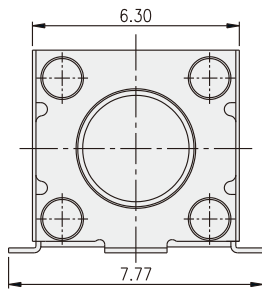
PART NO.	H
TA3-1□□K	4.35
TA3-2□□K	2.80
TA3-3□□K	2.30
TA3-4□□K	4.00
TA3-6□□K	1.12



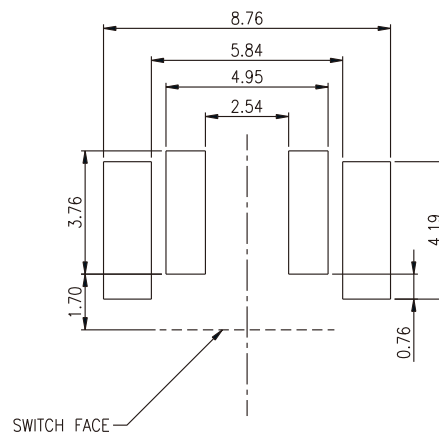
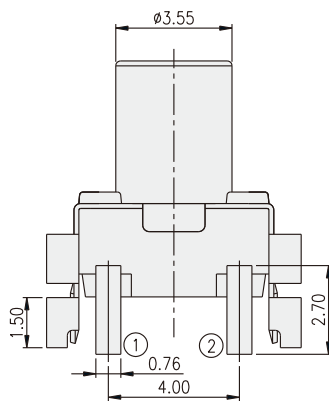
P.C.B. LAYOUT

TACT SWITCH

TA3-□□A



PART NO.	H
TA3-1□□A	4.35
TA3-2□□A	2.80
TA3-3□□A	2.30
TA3-4□□A	4.00
TA3-6□□A	1.12



P.C.B. LAYOUT